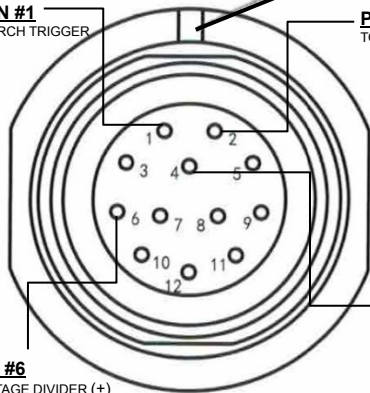


REAR SOCKET

White dot

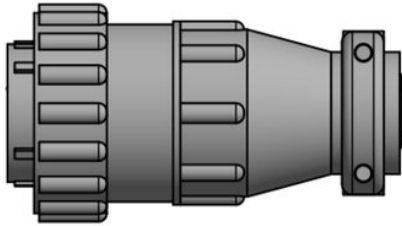
PIN #1
TORCH TRIGGER

PIN #2
TORCH TRIGGER



PIN #4
VOLTAGE DIVIDER (-)

PIN #6
VOLTAGE DIVIDER (+)



LS-THC DIV INPUT
SHORT CABLE

BARREL JACK OUTSIDE
-PIN #4

BARREL JACK INSIDE
-PIN #6

TORCH ON/OFF INPUT
LONG CABLE

BARREL JACK OUTSIDE
-PIN #1

BARREL JACK INSIDE
-PIN #2

