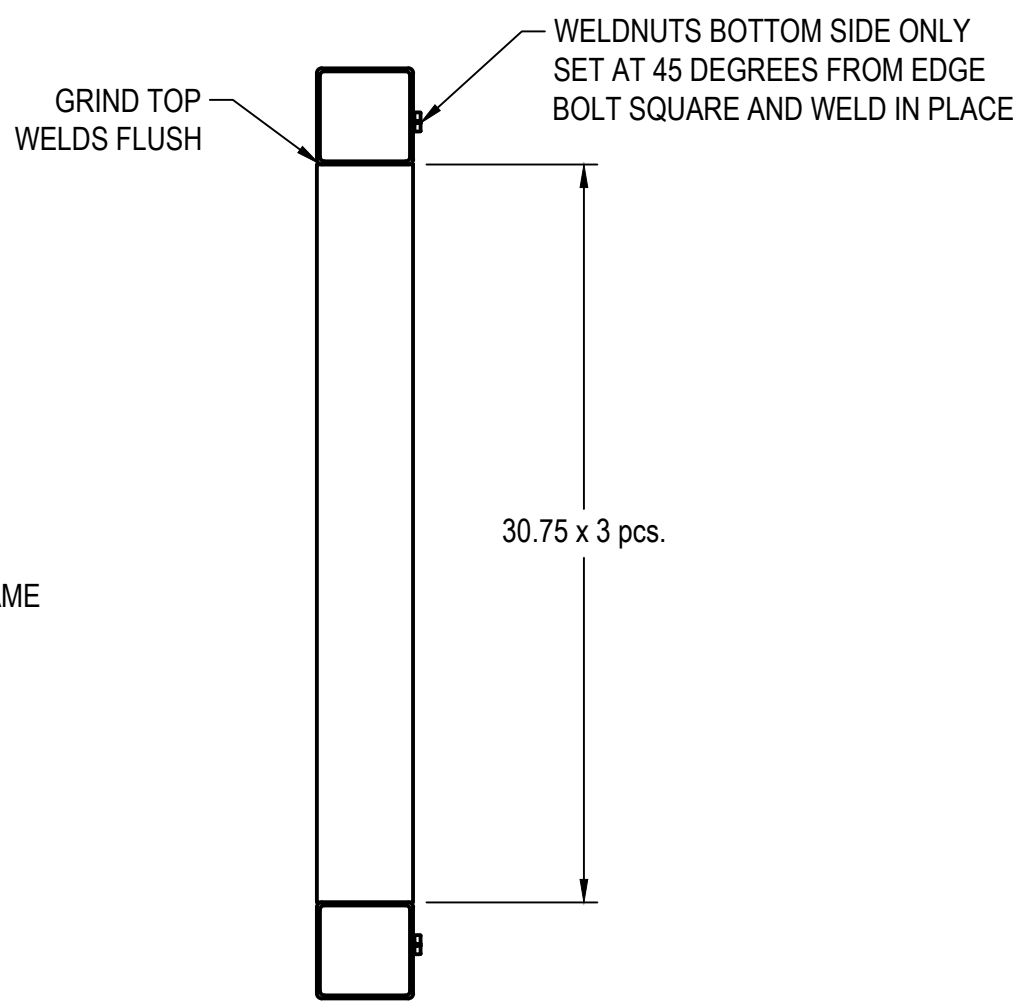
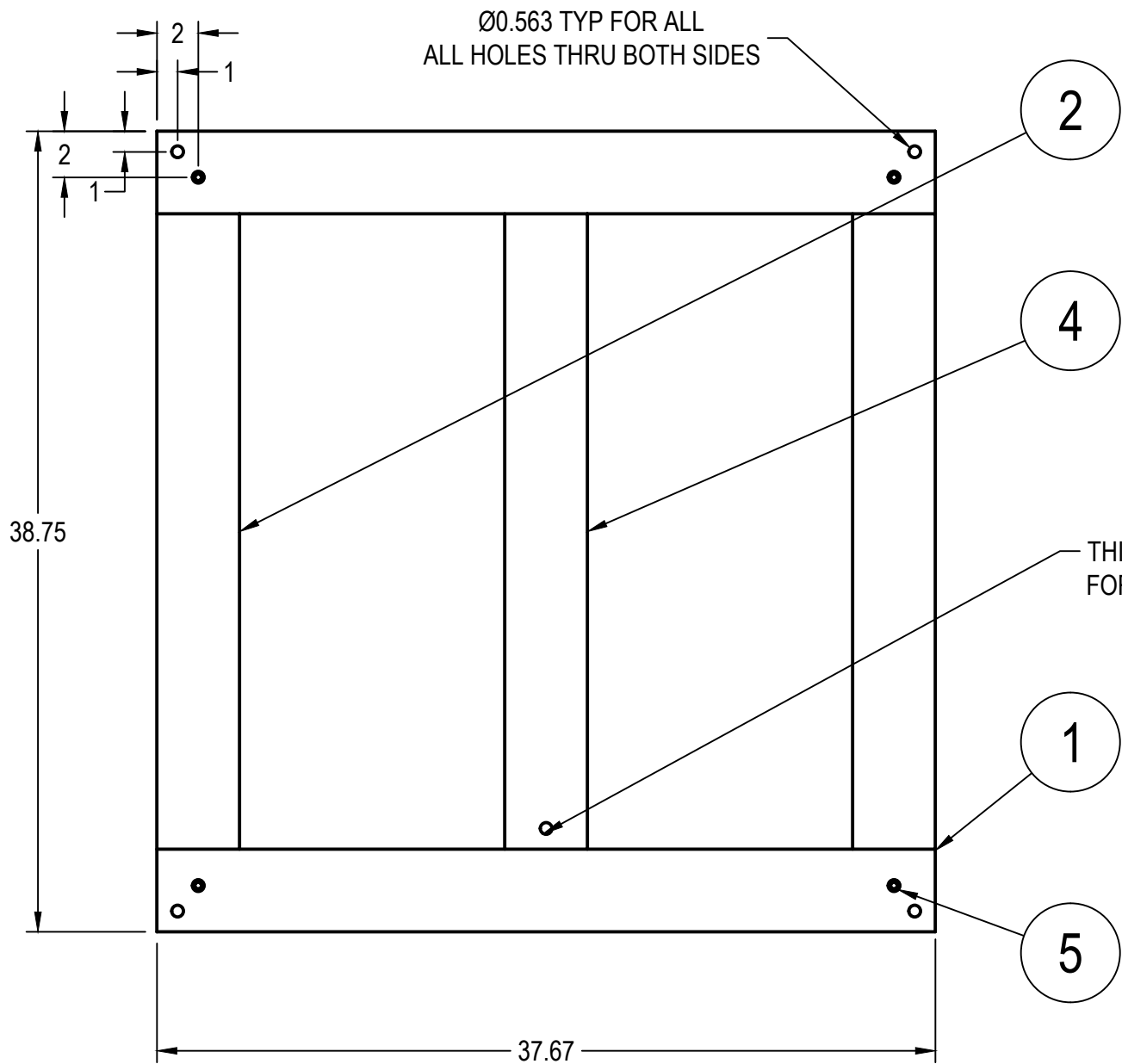


PARTS LIST				
ITEM	QTY	PART NUMBER	DESCRIPTION	MATERIAL
1	2	LFWELDMENT01	WELDMENT COMPONENT, 4X4", 11 GA	STEEL
2	2	LFWELDMENT02	WELDMENT COMPONENT, 4X4", 11 GA	STEEL
3	1	LFWELDMENT03	WELDMENT COMPONENT, 4X4", 11 GA	STEEL
4	4	93975A320_SQUARE WELD NUT	WELDNUT, 3/8-24	STEEL



FINISH: SATIN BLACK POWER COAT

	PROJECT TheCustomCab Langmuir MR-1			
	TITLE TheCustomCab MR1 Lower Assembly			
APPROVED	SIZE	CODE	DWG NO	REV
CHECKED	B		TCC MR-1 LFASSY	
DRAWN	CHILIARCH	2/14/23	SCALE 1:8	WEIGHT
			SHEET	1/1