

6. Installing Internal Remote Receptacle Harness



⚠ Turn off power source and disconnect input power.

- 1 Receptacle RMT1
- 2 Receptacle RMT2
- 3 Ground Clip
- 4 Cover Plate
- 5 Automation Harness (246 287)
- 6 Bus Capacitors
- 7 Harness Plug
- 8 Voltage Sense Lead
- 9 Lead 43
- 10 Double D Hole
- 11 Filter Board Ground Lead

Remove wrapper (see Section 5).

Remove two 5/16 in. screws from rear panel cover plate, and remove cover plate from unit (see Figure 2).

Attach automation harness to inside of rear panel using supplied screws and use one screw to attach dust cap to rear panel. Plug open double D hole with one of the supplied hole plugs (see Figure 2).

Route machine torch receptacle and sense leads over bus capacitors and under mylar insulator as shown in Figure 3 (view shown with filter assembly removed and insulator cut away).

Remove green lead on ground clip. Connect lead 43 from harness to ground clip and reconnect green lead with lead 43 (Figure 1).

Connect harness plug to RMT1 for OK to move dry contacts signal (Figure 4)

or
connect harness plug to RMT2 for OK to move hot contacts signal (+24 VDC, Figure 4) See Section 7.

See Owner's Manual for control instructions.

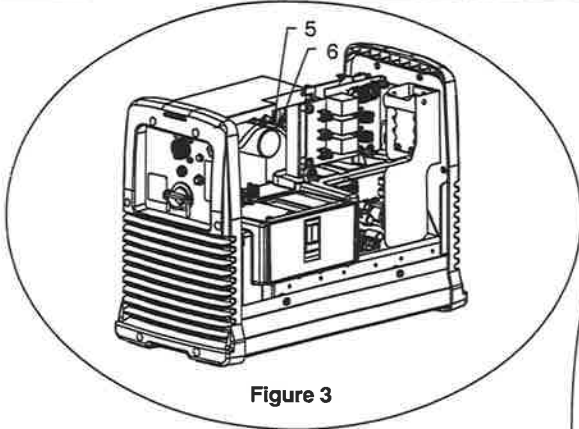


Figure 3

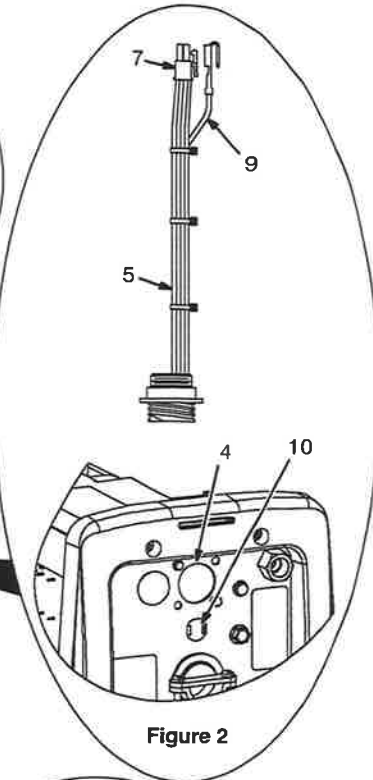


Figure 2

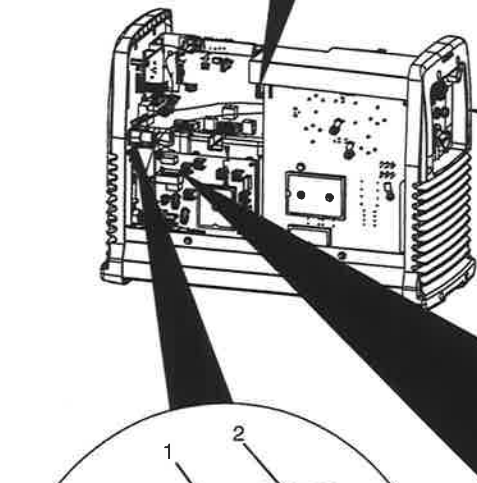


Figure 1

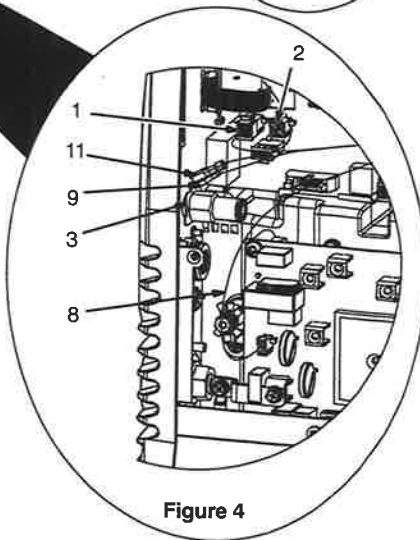
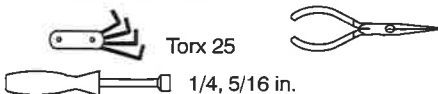


Figure 4

Tools Needed:



7. +24 Volts DC Hot Contacts For Relay Operation



⚠ Turn off power source and disconnect input power.

Control board PC1 can supply +24 volts DC from receptacle RMT2 to operate a customer-supplied relay for the Okay To Move signal.

- 1 Control Board PC1
- 2 Receptacle RMT1
- 3 Receptacle RMT2
- 4 Receptacle RC61

Move plug from RMT1 into receptacle RMT2 on PC1. Be sure remote control cable plug is connected to RC61 on rear of unit.

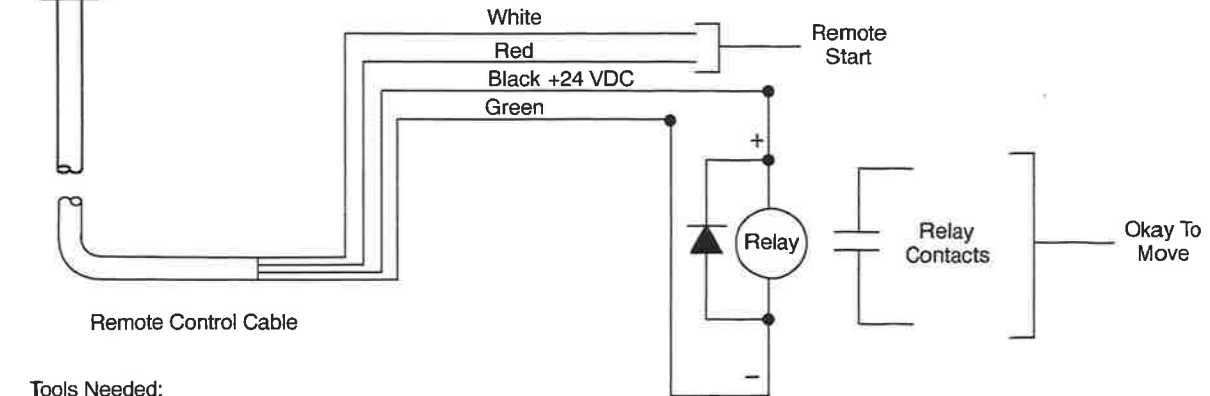
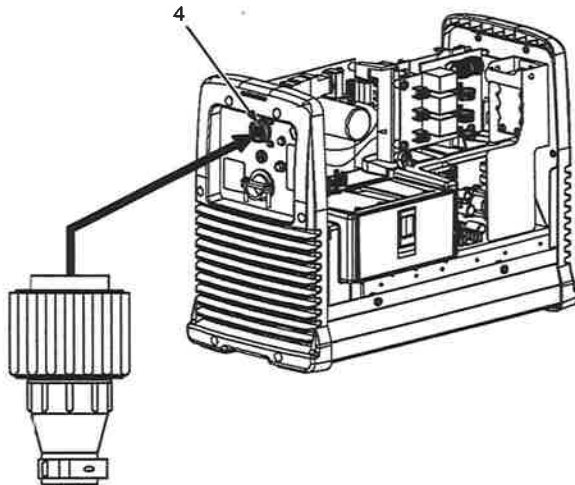
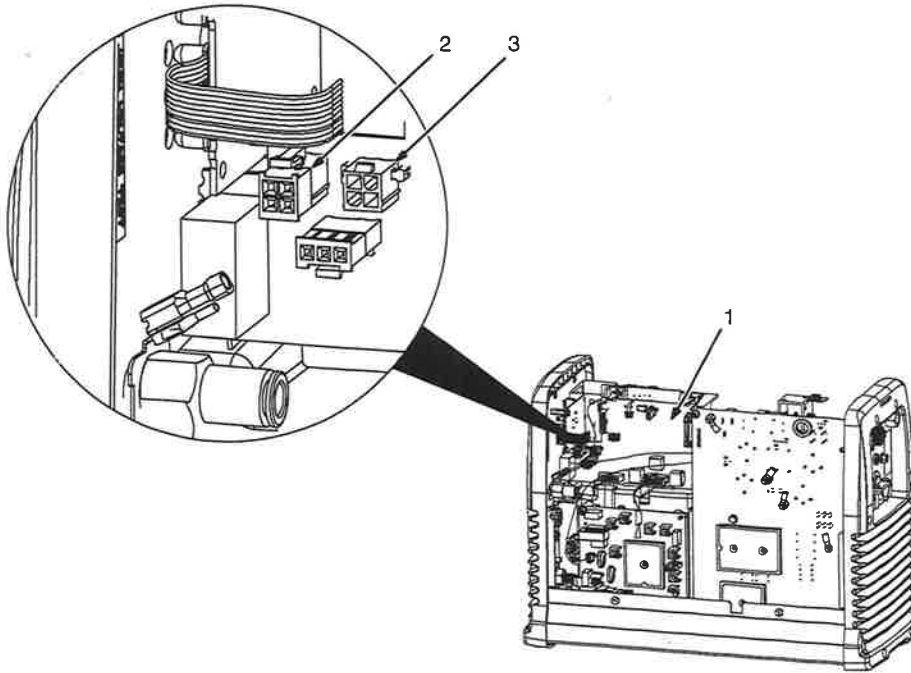
If voltage sensing is required, see Owner's Manual for instructions.

Install wrapper on unit.

Required Items:

Customer-supplied 24 volts DC relay coil with resistance greater than 240 ohms.

Suppression diode (1A, 100V) such as type IN4002 through IN4004 across relay coil.



Tools Needed:



⚠ +24 volts DC will activate relay coil after unit is triggered and the cutting arc is initiated.

243 336-A / 804 041-A