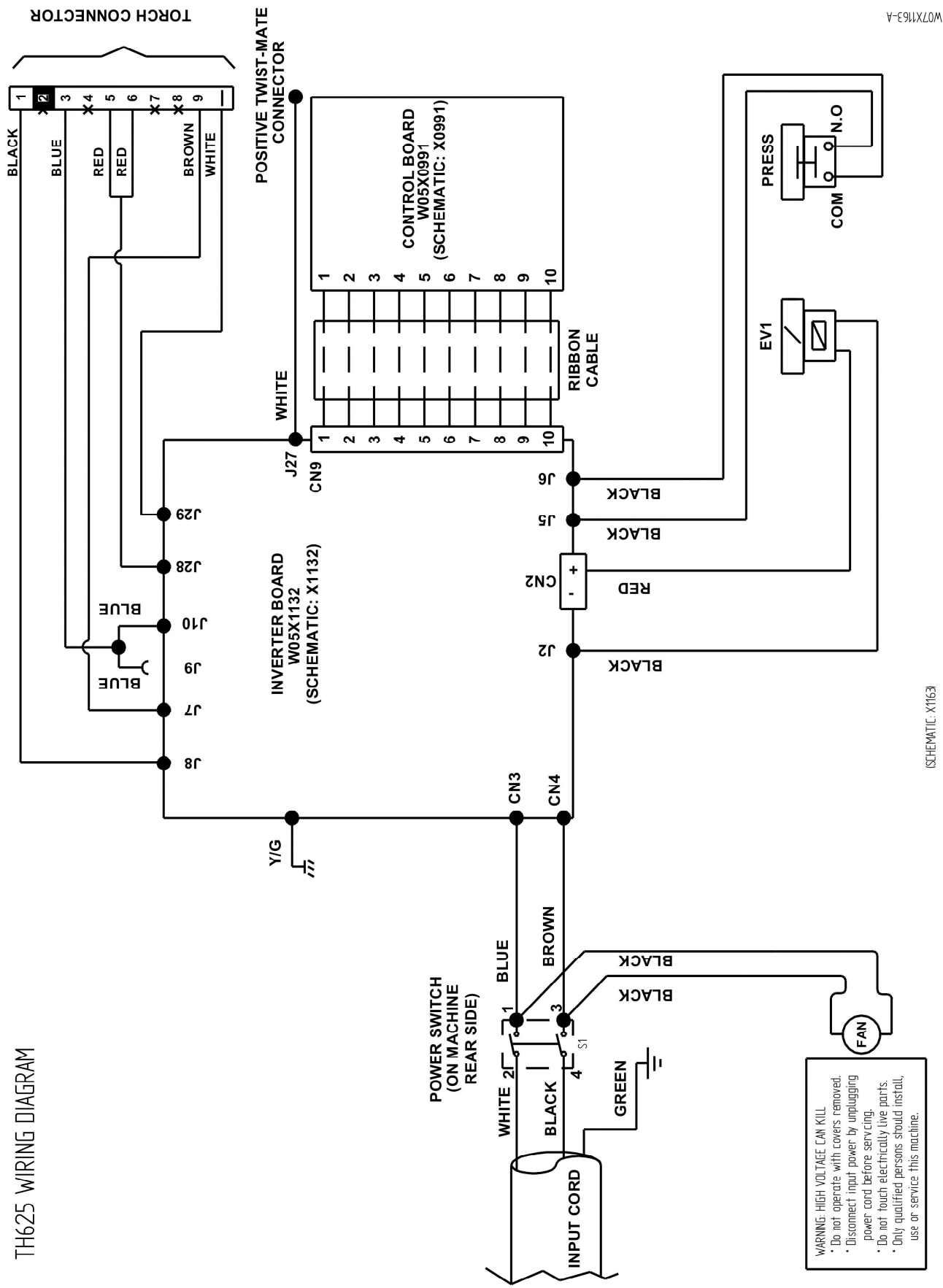


TOMAHAWK 625 WIRING DIAGRAM

TH625 WIRING DIAGRAM



WARNING: HIGH VOLTAGE CAN KILL

- Do not operate with covers removed.
- Disconnect input power by unplugging power cord before servicing.
- Do not touch electrically live parts.
- Only qualified persons should install, use or service this machine.

(SCHEMATIC: X1163)

W07X1163-A