

4

3

2

1

PROPRIETARY AND CONFIDENTIAL

THE INFORMATION CONTAINED IN THIS DRAWING IS THE SOLE PROPERTY OF CNC DEPOT. ANY REPRODUCTION IN PART OR AS A WHOLE WITHOUT THE WRITTEN PERMISSION OF CNC DEPOT IS PROHIBITED.

UNLESS OTHERWISE SPECIFIED:

TOLERANCES:
ANGULAR: ±0.05°
X.XX: ±0.005
X.XXX: ±0.002
X.XXXx: ±0.0005

D

D

C

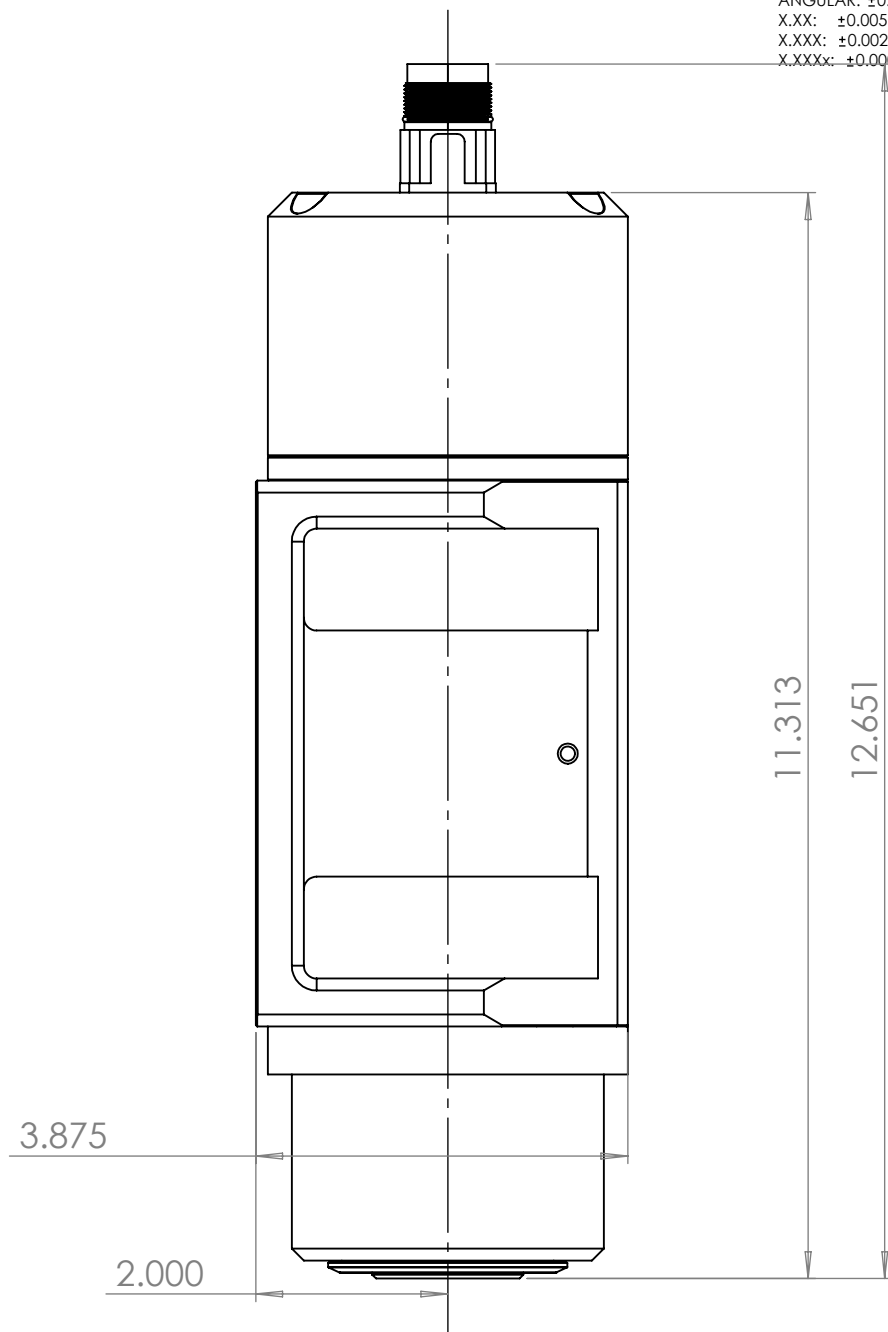
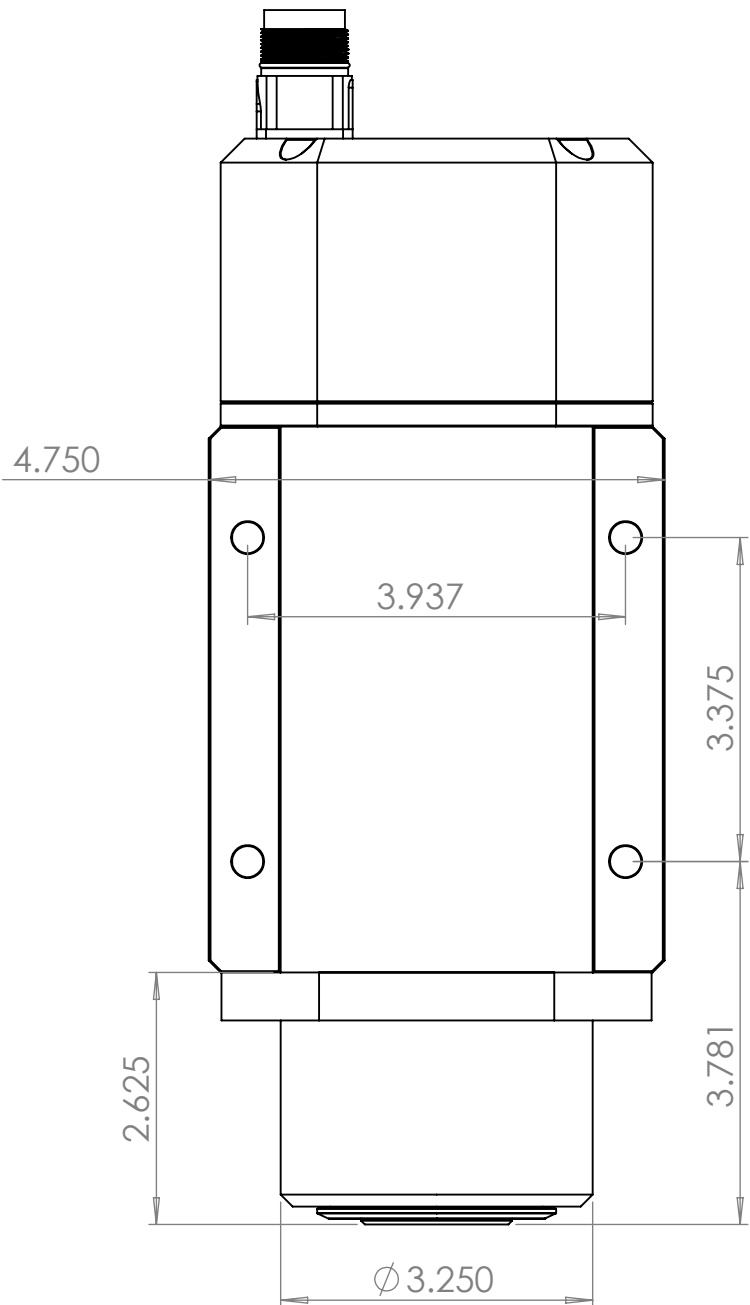
C

B

B

A

A



DWG. NO. FMrev2 Dimensional Drawing

MATERIAL

APPROVED:

NAME

DATE

SCALE: 1:2

DO NOT SCALE DRAWING

4

3

2

1